



Micro Commercial Components

Micro Commercial Components
20736 Marilla Street Chatsworth
CA 91311

Phone: (818) 701-4933

Fax: (818) 701-4939

MC7812CT

Three-Terminal Positive Voltage Regulators

Features

- Output current in excess of 1.0 Ampere
- No external components required
- Internal thermal overload protection
- Internal short-circuit current limiting
- Output voltage offered in 2% tolerance
- Case Material: Molded Plastic. UL Flammability Classification Rating 94V-0

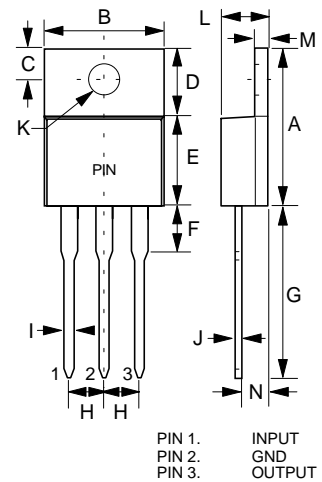
Maximum Ratings @ $T_A=25^\circ\text{C}$, Unless Otherwise Noted

Parameter	Symbol	Value	Unit
Input Voltage	V_1	30	V
Operating Ambient Temperature	P_D	15	W
Operating Junction Temperature	T_{OPR}	-20---+75	$^\circ\text{C}$
Storage Temperature Range	T_{STG}	-55---+125	$^\circ\text{C}$

Electrical Characteristics ($V_i=19\text{V}$, $I_o=500\text{mA}$, $0^\circ\text{C}<T_j<125^\circ\text{C}$, $C_i=0.33\mu\text{F}$, $C_o=0.1\mu\text{F}$, Unless Otherwise Specified)

Parameter	Sym	Min	Typ	Max	Test conditions
Output Voltage	V_o	11.76V	12V	12.24V	$T_j=25^\circ\text{C}$
		11.66V		12.34V	$14.5\text{V} \leq V_1 \leq 30\text{V}$, $5\text{mA} \leq I_o \leq 1.0\text{A}$, $P_D=15\text{W}$
Load Regulation	ΔV_o		12mV	240mV	$5\text{mA} \leq I_o \leq 1.5\text{A}$, $T_j=25^\circ\text{C}$
			4.0mV	120mV	$250\text{mA} \leq I_o \leq 750\text{mA}$, $T_j=25^\circ\text{C}$
Line regulation	ΔV_o		10mV	240mV	$14.5\text{V} \leq V_1 \leq 30\text{V}$, $T_j=25^\circ\text{C}$
			3.0mV	120mV	$16\text{V} \leq V_1 \leq 22\text{V}$, $T_j=25^\circ\text{C}$
Quiescent Current	I_q		4.3mA	8.0mA	$T_j=25^\circ\text{C}$, $I_o=0$
Quiescent Current Change	ΔI_q			1.0mA 0.5mA	$14.5\text{V} \leq V_1 \leq 30\text{V}$ $5\text{mA} \leq I_o \leq 1.0\text{A}$
Output Noise Voltage	V_N		75 μV		$10\text{Hz} \leq f \leq 100\text{KHz}$ $T_j=25^\circ\text{C}$
Ripple Rejection	RR	55dB	71dB		$f=120\text{Hz}$
Dropout Voltage	V_d		2.0V		$I_o=1.0\text{A}$, $T_j=25^\circ\text{C}$
Output Short Circuit Current	R_o		18mohm		$f=1.0\text{KHz}$
Output Short Circuit Current	I_{os}		350mA		$T_j=25^\circ\text{C}$
Peak Output Current	I_{opeak}		2.2A		$T_j=25^\circ\text{C}$
Temperature Coefficient of Output voltage	$\frac{\Delta V_o}{\Delta T_j}$		1.0mV/ $^\circ\text{C}$		$0^\circ\text{C} \leq T_j \leq 125^\circ\text{C}$, $I_o=5\text{mA}$

TO-220

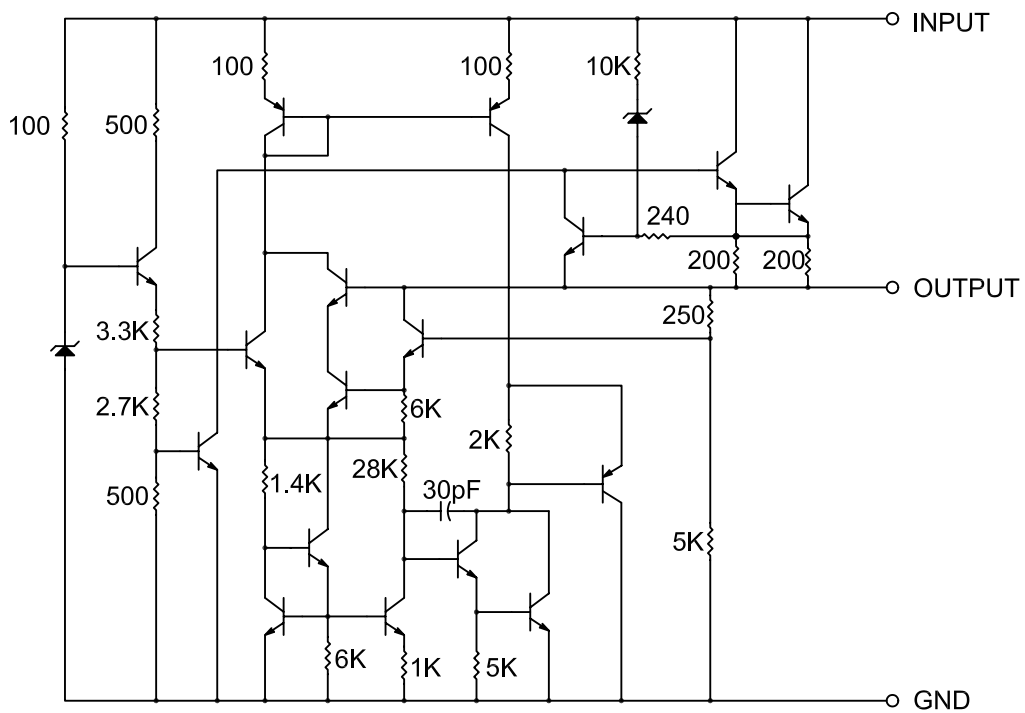


DIMENSIONS

DIM	INCHES		MM		NOTE
	MIN	MAX	MIN	MAX	
A	.560	.625	14.22	15.88	
B	.380	.420	9.65	10.67	
C	.100	.135	2.54	3.43	
D	.230	.270	5.84	6.86	
E	.380	.420	9.65	10.67	
F	-----	.250	-----	6.35	
G	.500	.580	12.70	14.73	
H	.090	.110	2.29	2.79	
I	.020	.045	0.51	1.14	
J	.012	.025	0.30	0.64	
K	.139	.161	3.53	4.09	∅
L	.140	.190	3.56	4.83	
M	.045	.055	1.14	1.40	
N	.080	.115	2.03	2.92	

MC7812CTf

Representation Schematic Diagram





TM

Micro Commercial Components

*****IMPORTANT NOTICE*****

Micro Commercial Components Corp. reserves the right to make changes without further notice to any product herein to make corrections, modifications, enhancements, improvements, or other changes. *Micro Commercial Components Corp.* does not assume any liability arising out of the application or use of any product described herein; neither does it convey any license under its patent rights, nor the rights of others. The user of products in such applications shall assume all risks of such use and will agree to hold *Micro Commercial Components Corp.* and all the companies whose products are represented on our website, harmless against all damages.

*****APPLICATIONS DISCLAIMER*****

Products offer by *Micro Commercial Components Corp.* are not intended for use in Medical, Aerospace or Military Applications.